

SEN. Design: Kengo Kuma.



Uniting opposites: the opulent upholstery looks like it is floating in the geometric frame. In combination, they are intensified to present an image of timeless elegance. Apparent within armchair and sofas. The sectional steel frame is available with highly polished, chrome-plated or satin chromed.

Product description

Design awards



Armchair and sofa

Modell no. 610

Frame Sectional steel, with highly polished chrome-plated or satin chrome.
Seat and back: wooden construction.

Upholstery Fixed seat and back cushions.
Cold cure foam sandwich construction with an outer layer of wadding.
Seat with micro-compartment spring core.

Armrest Top mounted leather armrests covered in same leather as carcass.
When upholstered in fabric, armrests are covered with leather Select black.

Table

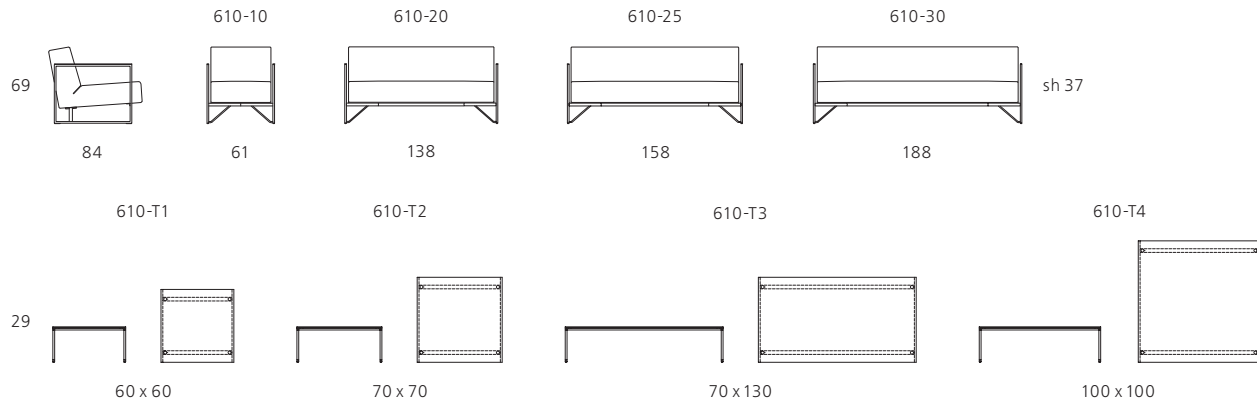
Modell no. 610

Table top Safety glass:
- white (.36), (underside coated, opti-white)
- black (.35), (underside coated).

Frame Sectional steel, with highly polished chrome-plated or satin chrome.
With synthetic glides.

SEN.

Technical drawings and dimensions



All dimensions in cm.